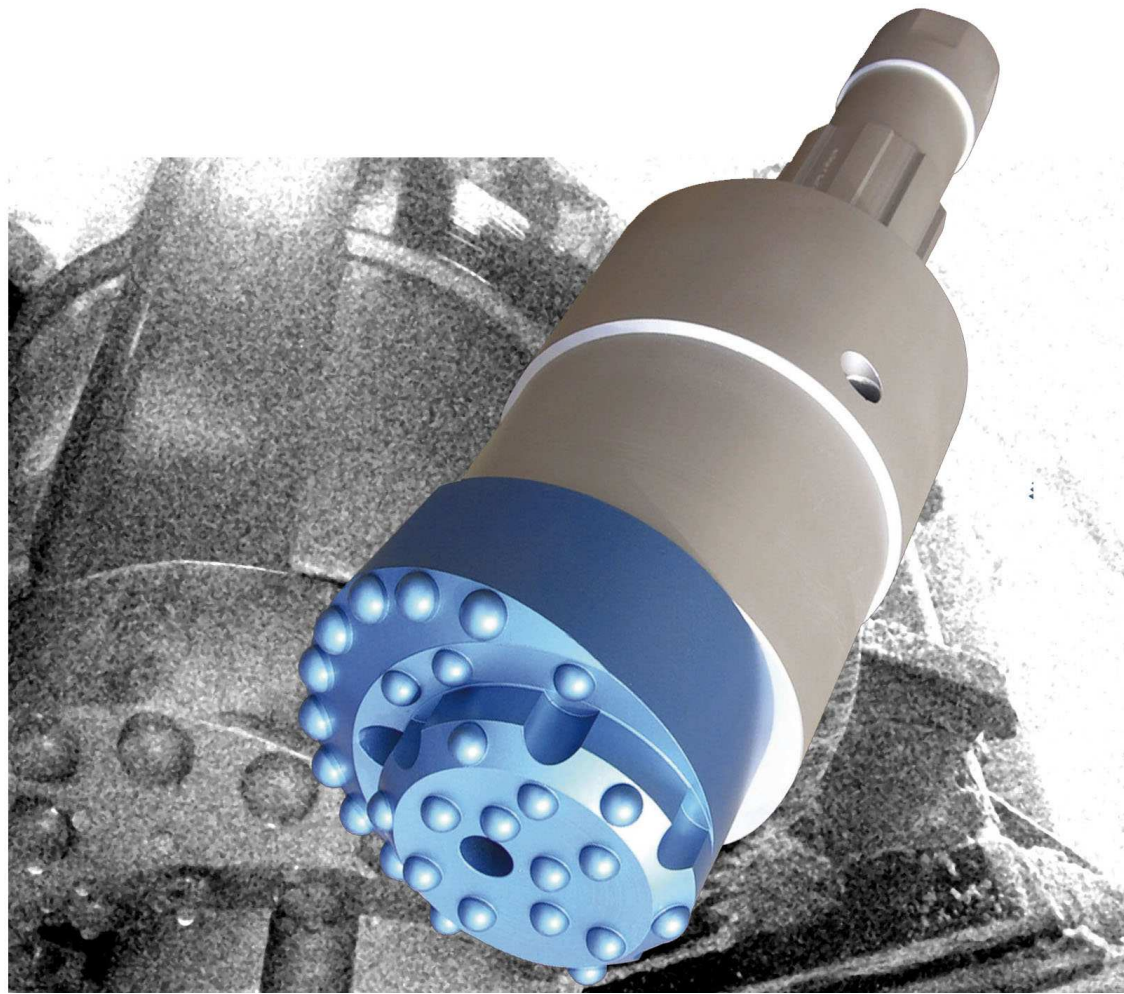


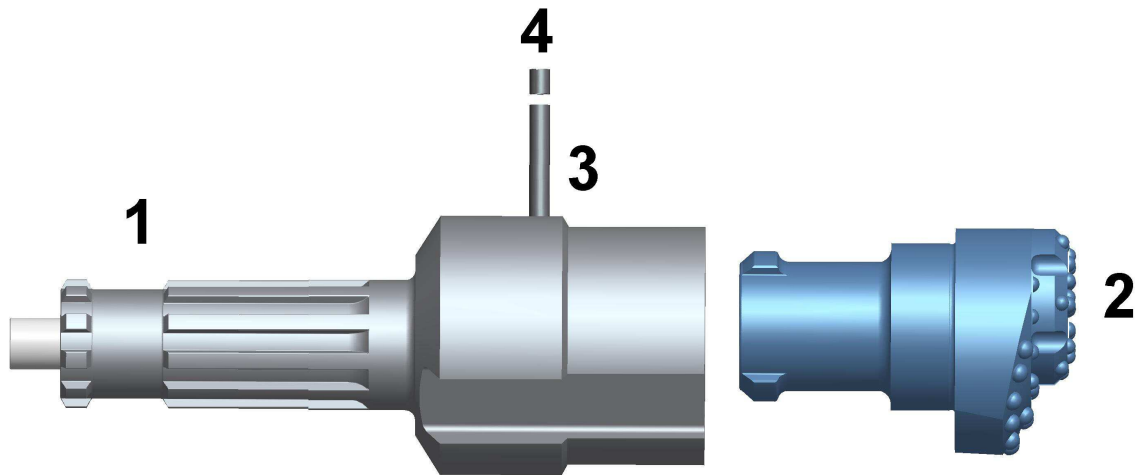
PITMEC

THE PES 180 ECCENTRIC UNDERREAMING SYSTEM



CASING SIZE 219MM OD X 199MM ID DRILLING DIA. 235MM

PNEUMEC PES 180 ECCENTRIC UNDERREAMING SYSTEM



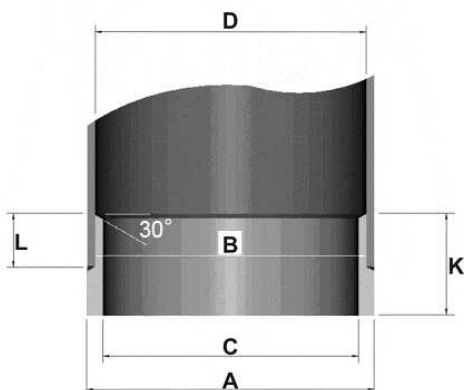
PES 180 PARTS LIST

1.	GUIDE DEVICE DHD360 SHANK	UGD180360PES
2.	ECCENTRIC BIT	UPB180PES
3.	LOCKING PIN	USP18050PES
4.	SPLIT PIN	USP18051PES
5.	COMPLETE SYSTEM	UCS180360PES

PES 180 SPECIFICATIONS

UPPER BODY DIAMETER	197MM	CLOSED DIAMETER	183MM
REAMING DIAMETER	235MM	CASING SIZE	219MM OD X 199MM ID
SYSTEM LENGTH	690MM	SYSTEM WEIGHT	105KG

PES 180 CASING SHOES



DIA. A	219MM
DIA. B	197MM
DIA. C	184MM
DIA. D	199MM
L	71MM
K	115MM

PNEUMEC

PNEUMEC COMPANY LIMITED

1st Floor, Tin On Sing Comm. Bldg., 41-43 Graham St. Central, H.K.

Tel : (852) 2180 9922

Website : www.pneumec.com

Fax : (852) 2180 9982

email : info@pneumec.com